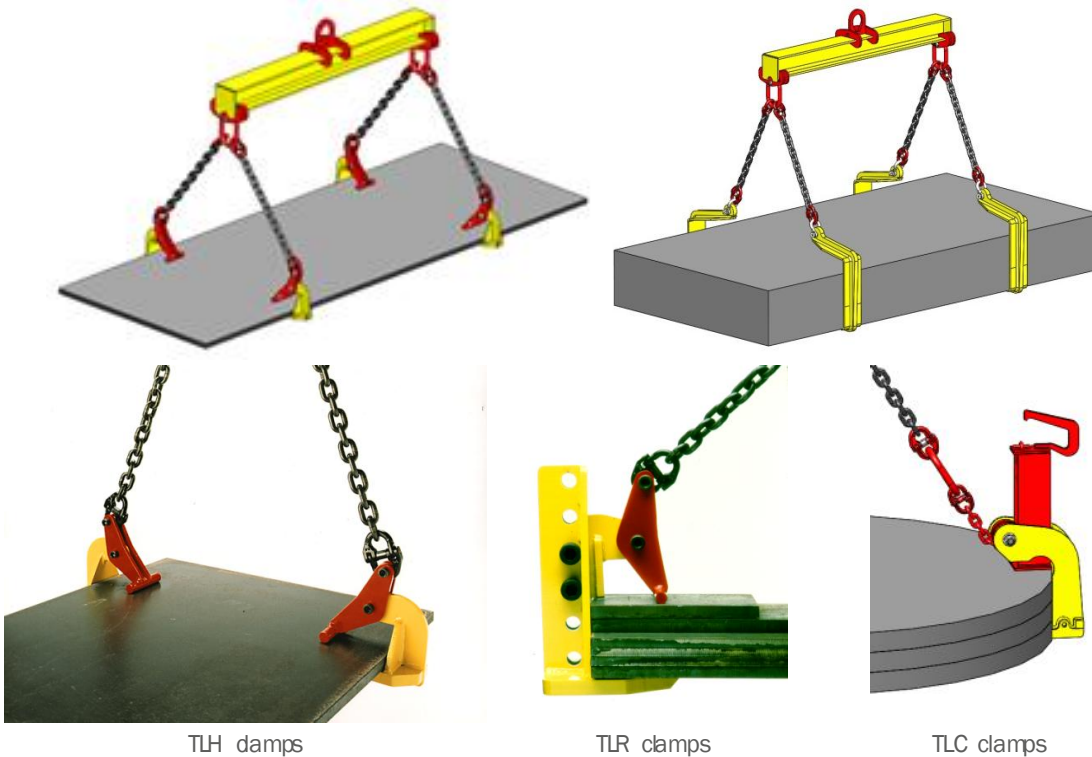
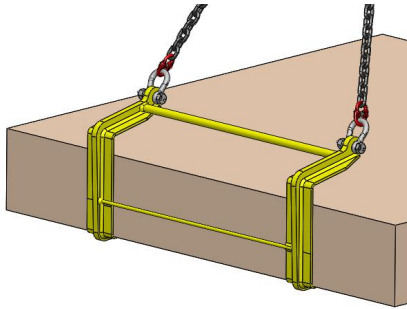


3 Inshort

Type of lifting	Product								
	Reference	TLH	TLR	TLC	QS	QR	QX	F	TB
	Sling angle	60°		90°	60°			90°	
Horizontal plates	Rectangular	2 legs			2 legs	4 legs	2 legs		
	Round	3 legs							
Tubes	Steel, cast iron							2 legs	
	Concrete								2 legs
Slings	End of each leg	Couplings			Shackles				

4 Lidfting of horizontal, rectangular plates

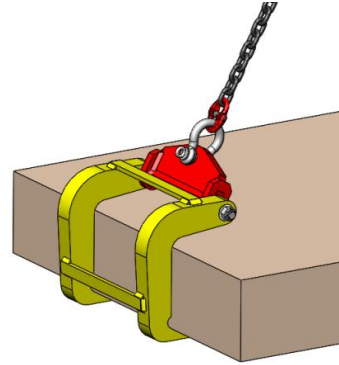




QR hooks

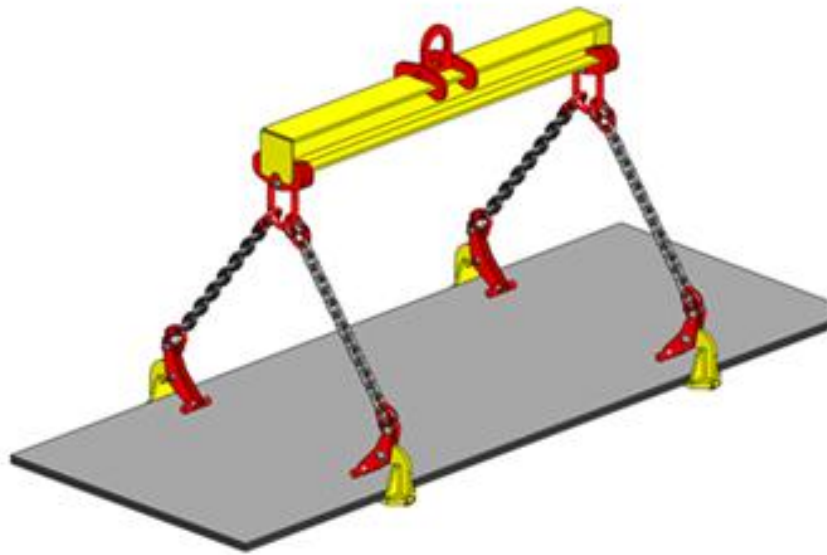


QS hooks



QX hooks



4.1 With 2-legged slings



4.1.1 TLH & TLR clamps


Maximum plate width in function of the maximum recommended sling angle of 60°.




	2x TLH 1	2x TLH 2	2x TLH 3	2x TLH 4	2x TLH 5	2x TLH 10
		2x TLR 2	2x TLR 3		2x TLR 5	2x TLR 10
Maximum plate width	Load to lift					
	≤ 1 000 kg	≤ 2 000 kg	≤ 3 000 kg	≤ 4 000 kg	≤ 5 000 kg	≤ 10 000 kg
1 000 mm	191008 E2W01600CO/1000	191108 E2W04000CO/1000		191208 E2W06300CO/1000		191308 E2W11500CO/1000
2 000 mm	191018 E2W01600CO/2000	191118 E2W04000CO/2000		191218 E2W06300CO/2000		191318 E2W11500CO/2000
3 000 mm	191028 E2W01600CO/3000	191128 E2W04000CO/3000		191228 E2W06300CO/3000		191328 E2W11500CO/3000
4 000 mm	191038 E2W01600CO/4000	191138 E2W04000CO/4000		191238 E2W06300CO/4000		191338 E2W11500CO/4000
5 000 mm	191048 E2W01600CO/5000	191148 E2W04000CO/5000		191248 E2W06300CO/5000		191348 E2W11500CO/5000

4.1.2 TLCclamps


Maximum plate width in function of the maximum recommended sling angle of 90°.

	2x TLC 1	2x TLC 2.5	2x TLC 4	2x TLC 6
Maximum plate width	Load to lift			
	≤ 1 000 kg	≤ 2 500 kg	≤ 4 000 kg	≤ 6 000 kg
1 400 mm	191008 E2W01600CO/1000	191108 E2W04000CO/1000	191208 E2W06300CO/1000	191258 E2W06700CO/1000
2 800 mm	191018 E2W01600CO/2000	191118 E2W04000CO/2000	191218 E2W06300CO/2000	191268 E2W06700CO/2000
4 200 mm	191028 E2W01600CO/3000	191128 E2W04000CO/3000	191228 E2W06300CO/3000	191278 E2W06700CO/3000

	2x TLC 1	2x TLC 2.5	2x TLC 4	2x TLC 6
5 600 mm	191038 E2W01600CO/4000	191138 E2W04000CO/4000	191238 E2W06300CO/4000	191288 E2W06700CO/4000
7 000 mm	191048 E2W01600CO/5000	191148 E2W04000CO/5000	191248 E2W06300CO/5000	191298 E2W06700CO/5000

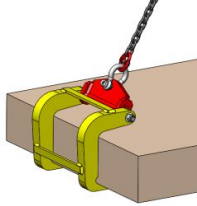
4.1.3 QS hooks

Maximum plate width in function of the maximum recommended sling angle of 60°.

	2x QS1.5-0-300	2x QS3-0-300	2x QS6-0-300
Maximum plate width	Load to lift		
	≤ 1 500 kg	≤ 3 000 kg	≤ 6 000 kg
1 000 mm	191708 E2W01600HR/1000	191808 E2W04000HR/1000	192158 E2W06700HR/1000
2 000 mm	191718 E2W01600HR/2000	191818 E2W04000HR/2000	192168 E2W06700HR/2000
3 000 mm	191728 E2W01600HR/3000	191828 E2W04000HR/3000	192178 E2W06700HR/3000
4 000 mm	191738 E2W01600HR/4000	191838 E2W04000HR/4000	192188 E2W06700HR/4000
5 000 mm	191748 E2W01600HR/5000	191848 E2W04000HR/5000	192198 E2W06700HR/5000

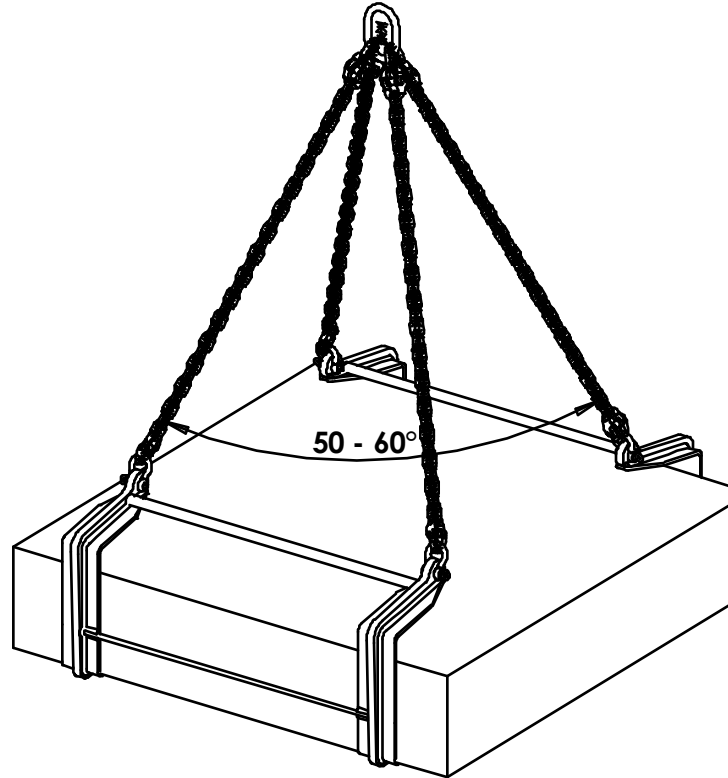
4.1.4 QX hooks

Maximum plate width in function of the maximum recommended sling angle of 60°.

	2x QX10
Maximum plate width	Load to lift
	≤ 10 000 kg
1 000 mm	192258 E2W11500HR/1000
2 000 mm	192268 E2W11500HR/2000
3 000 mm	192278 E2W11500HR/3000

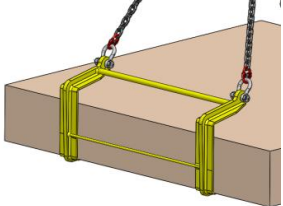
4 000 mm	192288 E2W11500HR / 4000
5 000 mm	192298 E2W11500HR / 5000

4.2 With 4-legged sling



4.2.1 QR hooks

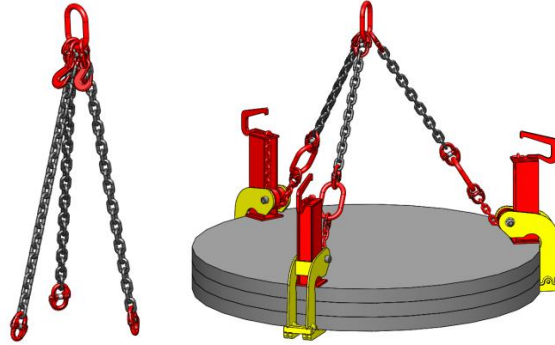
Maximum plate width in function of the maximum recommended sling angle of 60°.

	2x QR3-0-300	2x QR6-0-300	2x QR12-0-300
	Load to lift		
Maximum plate width	≤ 3 000 kg	≤ 6 000 kg	≤ 12 000 kg
1 000 mm	192358 E4W04000HR / 10000	192408 E4W6700HR / 1000	192458 E4W12900HR / 1000
2 000 mm	192368 E4W04000HR / 20000	192418 E4W6700HR / 2000	192468 E4W12900HR / 2000
3 000 mm	192378 E4W04000HR / 30000	192428 E4W6700HR / 3000	192478 E4W12900HR / 3000
4 000 mm	192388 E4W04000HR / 40000	192438 E4W6700HR / 4000	192488 E4W12900HR / 4000

5 000 mm	192398 E4W04000HR/50000	192448 E4W6700HR/5000	192498 E4W12900HR/5000
----------	----------------------------	--------------------------	---------------------------



5 Round plates

5.1 3-legged slings




5.1.1 TLH & TLR clamps

The maximum plate Ø in function of the maximum recommended sling angle of 60°

	3x TLH 1	3x TLH 2	3x TLH 3	3x TLH 4	3x TLH 5	3x TLH 10
		3x TLR 2	3x TLR 3		3x TLR 5	3x TLR 10
Maximum plate width	Load to lift					
	≤ 1500kg	≤ 3000kg	≤ 4500kg	≤ 6000kg	≤ 7500kg	≤ 15000 kg
1 000 mm	191358 E3W02400CO/1000	191458 E3W06000CO/1000	191558 E3W08500CO/1000	191658 E3W17000CO/1000		
2 000 mm	191368 E3W02400CO/2000	191468 E3W06000CO/2000	191568 E3W08500CO/2000	191668 E3W17000CO/2000		
3 000 mm	191378 E3W02400CO/3000	191478 E3W06000CO/3000	191578 E3W08500CO/3000	191678 E3W17000CO/3000		
4 000 mm	191388 E3W02400CO/4000	191488 E3W06000CO/4000	191588 E3W08500CO/4000	191688 E3W17000CO/4000		
5 000 mm	191398 E3W02400CO/5000	191498 E3W06000CO/5000	191598 E3W08500CO/5000	191698 E3W17000CO/5000		

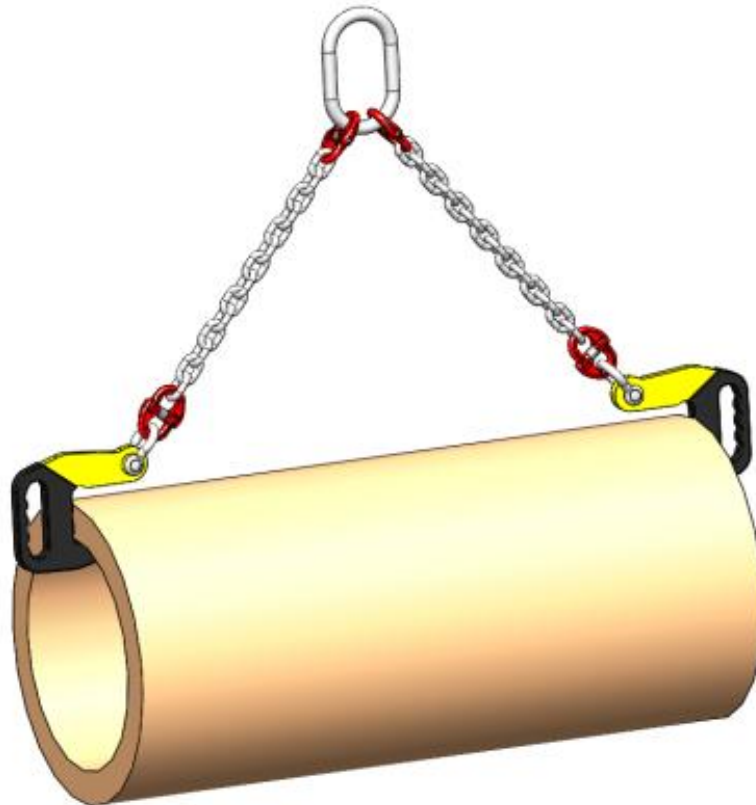
5.1.2 TLCclamps

The maximum plate Ø in function of the maximum recommended sling angle of 90°

	3x TLC 1	3x TLC 2.5	3x TLC 4	3x TLC 6
Maximum plate width	Load to lift			
	≤ 1 500 kg	≤ 3 750 kg	≤ 6 000 kg	≤ 9 000 kg
1 400 mm	191358 E3W02400CO/1000	191458 E3W06000CO/1000	191558 E3W08500CO/1000	191608 E3W10700CO/1000
2 800 mm	191368 E3W02400CO/2000	191468 E3W06000CO/2000	191568 E3W08500CO/2000	191618 E3W10700CO/2000
4 200 mm	191378 E3W02400CO/3000	191478 E3W06000CO/3000	191578 E3W08500CO/3000	191628 E3W10700CO/3000
5 600 mm	191388 E3W02400CO/4000	191488 E3W06000CO/4000	191588 E3W08500CO/4000	191638 E3W10700CO/4000
7 000 mm	191398 E3W02400CO/5000	191498 E3W06000CO/5000	191598 E3W08500CO/5000	191648 E3W10700CO/5000

6 Tubes

With F hooks

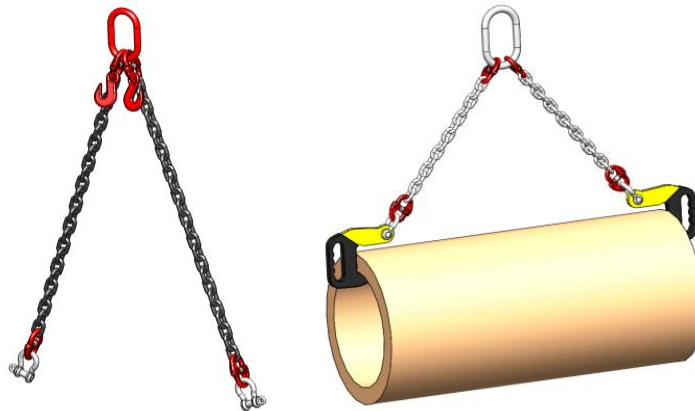


With TB
hooks



Maximum tube length in function of the maximum recommended sling angle of 90°.

6.1 F hooks with 2-legged slings



Maximum tube length in function of the maximum recommended sling angle of 90°.

F hooks are generally used for lifting steel or cast iron tubes.

	<p>2x F-2</p>	<p>2x F-5</p>	<p>2x F-7.5</p>	<p>2x F-10</p>	<p>2x F-15</p>
--	---------------	---------------	-----------------	----------------	----------------

Maximum tube length	Load to lift				
	≤ 2 000 kg	≤ 5 000 kg	≤ 7 500 kg	≤ 10 000 kg	≤ 15 000 kg
1 400 mm	191808 E2W0400HR/100 0	192258 E2W0670CHR/100 0	192258 E2W11500HR/100 0		192308 E2W1700CHR/100 0
2 800 mm	191818 E2W0400HR/200 0	192168 E2W0670CHR/200 0	192268 E2W11500HR/200 0		192318 E2W1700CHR/200 0
4 200 mm	191828 E2W0400HR/300 0	192178 E2W0670CHR/300 0	192278 E2W11500HR/300 0		192328 E2W1700CHR/300 0
5 600 mm	191838 E2W0400HR/400 0	192188 E2W0670CHR/400 0	192288 E2W11500HR/400 0		192338 E2W1700CHR/400 0
7 000 mm	191848 E2W0400HR/500 0	192198 E2W0670CHR/500 0	192298 E2W11500HR/500 0		192348 E2W1700CHR/500 0

6.2 TB hooks with 2-legged slings

Maximum tube length if function of the maximum recommended sling angle of 90°.

TB hooks are generally used for lifting concrete tubes.

Maximum tube length	Load to lift		
	≤ 1 000 kg	≤ 2 000 kg	≤ 3 000 kg
1 400 mm	191708 E2W01600HR/1000	191808 E2W0400CHR/1000	191858 E2W04100HR/1000
2 800 mm	191718 E2W01600HR/2000	191818 E2W0400CHR/2000	191868 E2W04100HR/2000
4 200 mm	191728 E2W01600HR/3000	191828 E2W0400CHR/3000	191878 E2W04100HR/3000
5 600 mm	192738 E2W01600HR/4000	191838 E2W0400CHR/4000	191888 E2W04100HR/4000
7 000 mm	192748 E2W01600HR/5000	191848 E2W0400CHR/5000	191898 E2W04100HR/5000